

# FLUA®



**SURROUND R3 DC 2.0**



---

High visual comfort by unique design of cover emitting light from side for both directional and decorative effect. For light emission from one hole and two holes, there are optional stainless steel covers available which are stronger and suitable for installation on paths or roads exposed to treading and pressing force.

---

<b>Designer</b>	FLUA
<b>Sales status</b>	On Sale
<b>Product classification</b>	Exterior
<b>Model</b>	667817

---

[WWW.FLUA.COM](http://WWW.FLUA.COM)

## Installation information

Area	Ground
Method	Recessed
Cut hole size	Φ75mm
Embedded height	/

---

## Technical general

System power	2.3W
Flux	29LM
Beam angle	R
Material	SSS 316
Appearance color	WSG
Size	Φ55*65.8mm
Adjustable angle	Not available
Ingress protection	IP67
Input voltage	24VDC
Electrical level	ClassIII

## Electrical parameters

Driver brand	FLUA
Driver type	PR-EL03060B4
Electrical installation	Build in

---

## Light source parameters

Brand	OSRAM
Type	CSHPM1.EM 1P
Power	1.8W
Light color	WW
Color temperature	3000K
CRI	80

---

## Other options

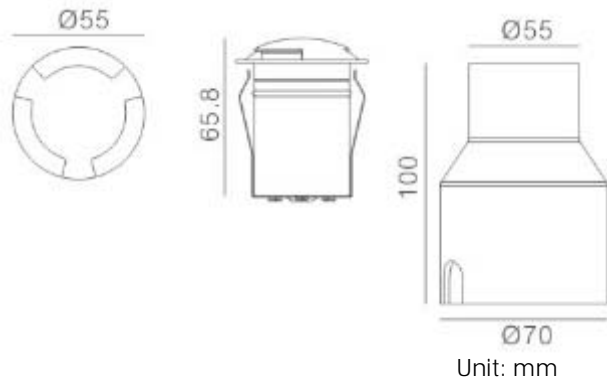
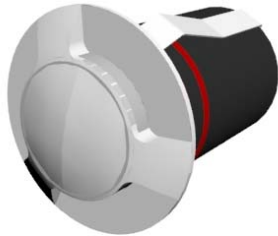
Beam angle	/
Color temperature	/
Color	/
Appearance color	/

---

# FLUA®

3D module

Line drawing



## Instructions

