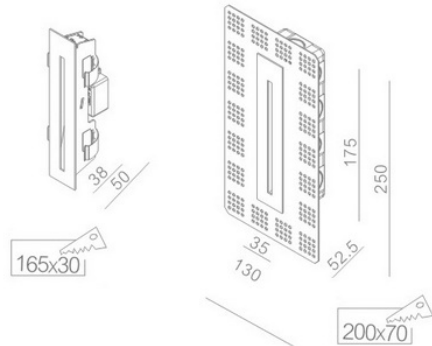


Product Information IES files, certifications and approvals available on request

Modern design, recessed LED architectural step light. Suitable for installation in gyprock or concrete render walls in stairs or hallways. Supplied in warm white 3000k colour temperature, and available in Black or White finish, this fitting is ideal for all architectural or residential applications requiring a low level wall light. Requires a remote mounted 700mA control gear (Multiple fittings can be grouped on one control gear) . DALI, Push-Dim, Phase cut, & 1-10V dimming available on request. Standard 5 year warranty.

Product Images More images and drawings available on request



LED Specification Listed lumens per/w are LED rating refer IES file for luminaire specs

BRAND	TYPE	LED CCT	LED CRI	DRIVE CURRENT	LED POWER	OUTPUT
OSRAM	SMD	2700K – 5000K	80	700mA	2.2W @ 700mA	130lm/W min

Luminaire Specification Customisations available on request

HEIGHT	WIDTH	CUT OUT	MATERIAL	FINISH TYPE	MOUNTING	IP RATING
175mm	35mm	Refer above	Aluminium	Powder coat	Recessed	IP20

Product Code Generator example 419217.A3AW2.1

MODEL	SYSTEM POWER	LED CCT	LED CRI	BEAM ANGLE	FINISH	DIMMING
419217. CARD IN2	A 2.2W	2 2700K	A 80	W. Special	1. White 2. Black	0 No dimming
		3 3000K				1 Phase dimming
		4 4000K				2 DALI dimming
		5 5000K				3 0-10V dimming

Ordering Information Please fill-up as per Product Code Generator

419217.						
---------	--	--	--	--	--	--