

**Driver LCBU 10W 12V BASIC phase-cut SR**

advanced series

**Product description**

- \_ Dimmable via leading edge and trailing edge phase dimmers
- \_ Dimming range typ. 5 to 100 % (depending on dimmer)
- \_ Type of protection IP20
- \_ Screw terminal
- \_ Connecting cable, wire cross-section 0.5 – 2.5 mm<sup>2</sup>
- \_ SELV
- \_ 12 V DC output voltage
- \_ Output power 10 W
- \_ Nominal life-time of 50,000 h (at max ta 50 °C with a failure rate ≤ 0.2 % per 1,000 h)
- \_ 5-year guarantee

**Properties**

- \_ Casing: polycarbonate, white
- \_ Compact dimensions
- \_ Overload protection
- \_ Short-circuit protection
- \_ No-load protection

**Website**

<http://www.tridonic.com/89800289>



Spotlights



Downlights



Linear



Area



Floor | Wall



Free-standing



Street



Decorative

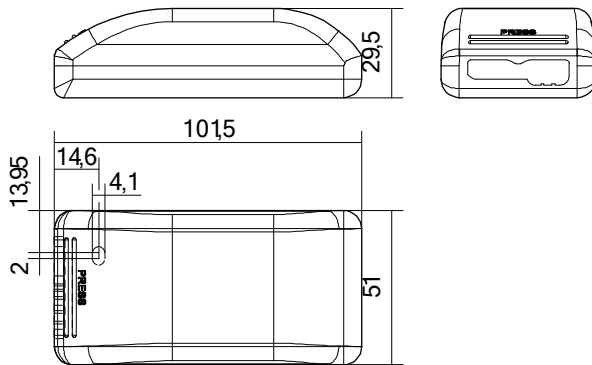


High bay

## Driver LCBU 10W 12V BASIC phase-cut SR

advanced series

The complete data sheet for this product is available in the Downloads section.



## Ordering data

Type	Article number	Packaging, carton	Packaging, pallet	Weight per pc.
LCBU 10W 12V BASIC phase-cut SR	89800289	20 pc(s).	1,000 pc(s).	0.065 kg

## Technical data

Rated supply voltage	220 – 240 V
AC voltage range	198 – 264 V
Mains frequency	50 / 60 Hz
Typ. rated current (at 230 V, 50 Hz, full load)	0.06 A
$\lambda$ at full load	0.9C
$\lambda$ at min. load	0.7C
Typ. current ripple (at 230 V, 50 Hz, full load)	$\pm 30\%$
Starting time (at 230 V, 50 Hz, full load)	$\leq 0.1$ s
Turn off time (at 230 V, 50 Hz, full load)	$\leq 0.1$ s
Hold on time at power failure (output)	0 s
Ambient temperature $t_a$	-25 ... +50 °C
Ambient temperature $t_a$ (at life-time 50,000 h)	50 °C
Max. casing temperature $t_c$	75 °C
Storage temperature $t_s$	-40 ... +85 °C
Life-time	up to 50,000 h
Dimensions L x W x H	102 x 51 x 30 mm

## Approval marks

IP20 SELV        RoHS

## Standards

EN 55015, EN 61000-3-2, EN 61000-3-3, EN 61347-1, EN 61347-2-13, EN 61547, EN 62384

## Specific technical data

Type	Efficiency $\eta$ at full load	Efficiency $\eta$ at min. load	Output current	Output voltage DC	Max. output voltage DC	Max. input power	Output power
LCBU 10W 12V BASIC phase-cut SR	77 %	65 %	830 mA	11 – 15 V	15 V	13 W	3 – 10 W

① Test result at 230 V, 50 Hz.