

**Driver LC 35W 24V bDW SC PRE2**  
premium series constant voltage



System solution

**Product description**

- \_ Dimmable 24 V constant voltage LED Driver for flexible constant voltage strips
- \_ Can be either used built-in or independent with clip-on strain-relief (see data sheet chapter: 1. Standards)
- \_ basicDIM Wireless enables different dimming options
- \_ Forms automatically a wireless communication network with up to 250 nodes
- \_ Dimming range 1 to 100 %
- \_ No additional external dimmer is needed
- \_ Suitable for emergency escape lighting systems acc. to EN 50172
- \_ Nominal life-time up to 50,000 h
- \_ 5-year guarantee

**Typical applications**

- \_ Cove lighting, facade accent lighting, ceiling integration

**Technical details**

- \_ 24 V, 35 W
- \_ Small design (195 x 43 x 30.2 mm) with stretched-compact strain relief
- \_ Small cross section
- \_ Push terminals for simple wiring
- \_ 1 output channel (+/-)

**Interfaces**

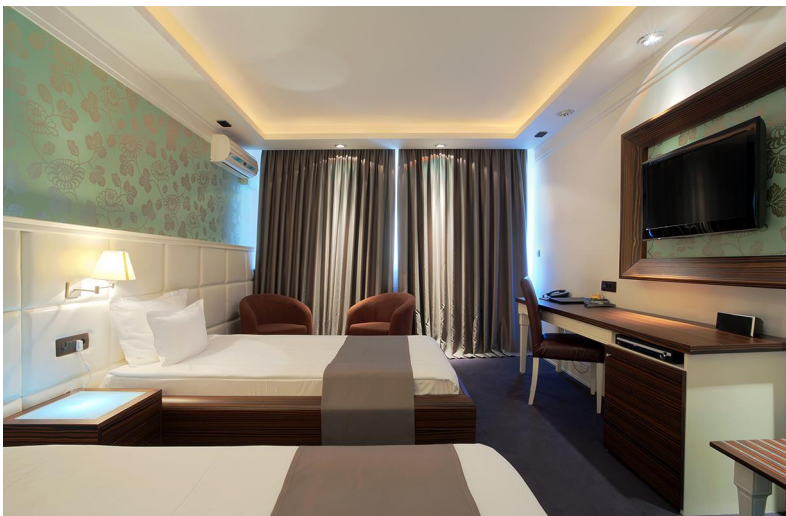
- \_ basicDIM Wireless
- \_ ready2mains (configuration via mains)
- \_ Terminal blocks: 45° push terminals

**System solution**

- \_ Tridonic LLE-FLEX ADV 600, 1,200, 1,800 lm/m
- \_ Tridonic LLE-FLEX EXC 600, 1,200, 1,800, 2,500 lm/m
- \_ In connection with Flex accessories wire to PCB plug

**Website**

<http://www.tridonic.com/28002677>



Spotlights



Downlights



Linear



Area



Floor | Wall



Free-standing



Street



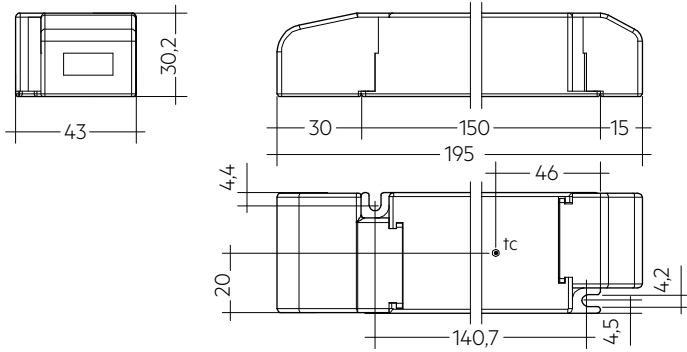
Decorative



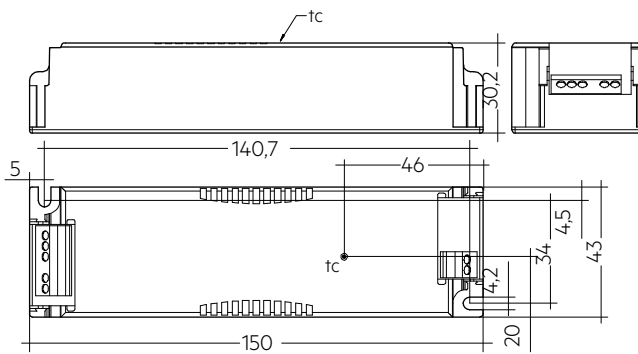
High bay

**Driver LC 35W 24V bDW SC PRE2**  
premium series constant voltage

The complete data sheet for this product is available in the Downloads section.



With strain-relief



Without strain-relief

**Ordering data**

Type	Article number	Packaging, carton <sup>®</sup>	Packaging, pallet	Weight per pc.
<b>Single packaging</b>				
LC 35/24V bDW SC PRE2 SP	28002677	10 pc(s).	480 pc(s).	0.15 kg

**Technical data**

Rated supply voltage	220 – 240 V
AC voltage range	198 – 264 V
DC voltage range	176 – 280 V
Mains frequency	0 / 50 / 60 Hz
Typ. rated current (at 230 V, 50 Hz, full load) <sup>①</sup>	176 mA
Typ. current (220 V, 0 Hz, full load, 15 % dimming level)	37 mA
Leakage current (at 230 V, 50 Hz, full load) <sup>①</sup>	< 320 µA
Max. input power	40 W
Typ. efficiency (at 230 V, 50 Hz, full load)	89 %
λ (at 230 V, 50 Hz, full load) <sup>①</sup>	0.98
Typ. power input on stand-by	< 0.37 W
Typ. input current in no-load operation	26.5 mA
Typ. input power in no-load operation	1.78 W
In-rush current (peak / duration)	21.6 A / 136 µs
THD (at 230 V, 50 Hz, full load) <sup>①</sup>	< 6.7 %
Starting time (at 230 V, 50 Hz, full load) <sup>①</sup>	< 0.6 s
Starting time (DC mode)	< 0.3 s
Switchover time (AC/DC) <sup>②</sup>	< 0.3 s
Turn off time (at 230 V, 50 Hz, full load)	< 3 ms
Output voltage tolerance	± 1 V
Output LF voltage ripple (< 120 Hz)	± 5 %
Max. output voltage (U-OUT)	60 V
PWM frequency	~ 1 kHz
Dimming range	1 – 100 %
Mains surge capability (between L - N)	1 kV
Mains surge capability (between L/N - PE)	2 kV
Type of protection	IP20
Life-time	up to 50,000 h
Dimensions L x W x H	195 x 43 x 30.2 mm

**Approval marks**

IP20 SELV          

**Standards**

EN 55015, EN 61000-3-2, EN 61000-3-3, EN 61347-1, EN 61347-2-13, EN 62384, EN 61547, EN 300330 V2.1.1, EN 301 489-1 V2.1.1, EN 301 489-3 V2.1.1, EN 300328 V2.1.1, EN 301 489-17 V2.1.1, Acc. to EN 50172, Acc. to EN 60598-2-22

<sup>①</sup> Valid at 100 % dimming level.

<sup>②</sup> Valid for immediate change of power supply type otherwise the starting time is valid.

<sup>③</sup> The strain relief is included in both packaging variants. In the single packaging each Driver has also an individual packaging.