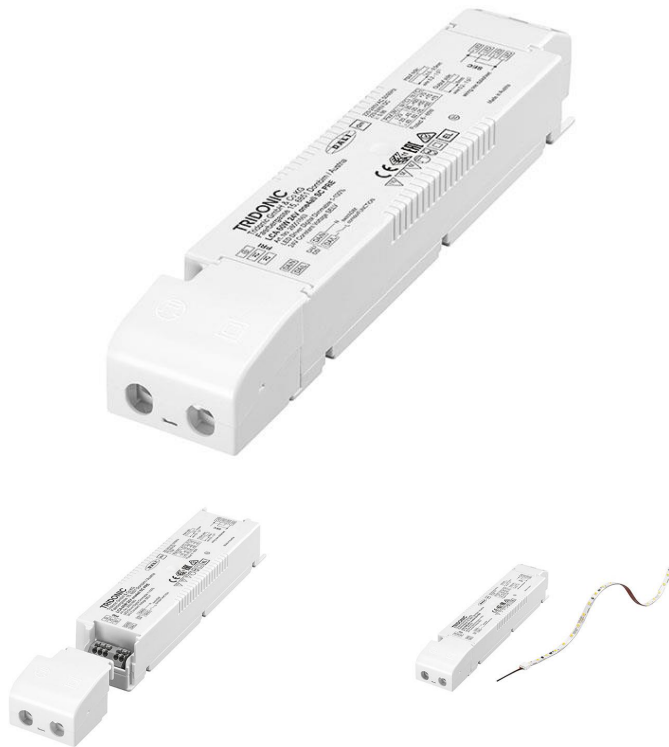


Driver LCA 60W 24V one4all SC PRE

premium series



System solution

Product description

- _ Dimmable 24 V constant voltage LED Driver for flexible constant voltage strips
- _ Can be either used built-in or independent with clip-on strain-relief (see data sheet chapter: 1. Standards)
- _ One4all interface and ready2mains enable different dimming options
- _ Dimming range 1 to 100 %
- _ No additional external dimmer is needed
- _ Suitable for emergency escape lighting systems acc. to EN 50172
- _ Nominal life-time up to 50,000 h
- _ 5-year guarantee

Typical applications

- _ Cove lighting, facade accent lighting, ceiling integration

Technical details

- _ 24 V, 60 W
- _ Small design (225 x 43 x 30.2 mm) with stretched-compact strain relief
- _ Small cross section
- _ Push terminals for simple wiring
- _ Output terminals (+/-) equipped twice for more flexibility in the application

Interfaces

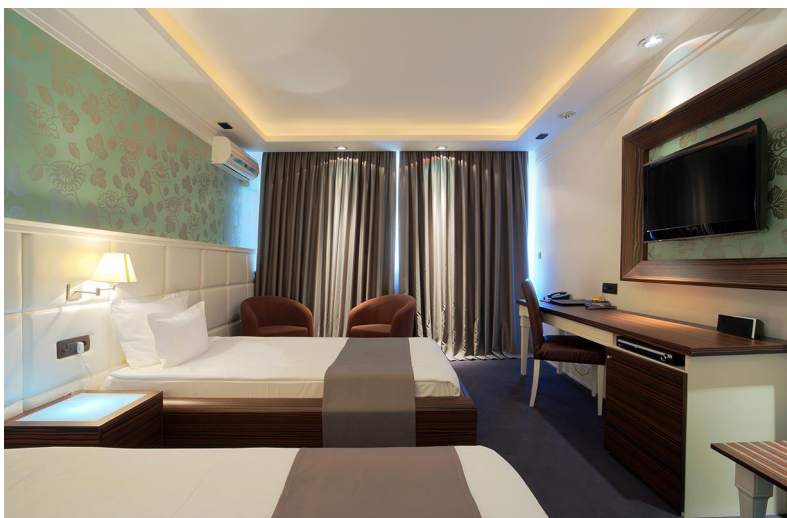
- _ one4all (DALI DT 6, DSI, switchDIM, corridorFUNCTION)
- _ ready2mains (configuration and dimming via mains)
- _ Terminal blocks: 45° push terminals

System solution

- _ Tridonic LLE-FLEX ADV 600, 1,200, 1,800 lm/m
- _ Tridonic LLE-FLEX EXC 600, 1,200, 1,800, 2,500 lm/m
- _ In connection with Flex accessories wire to PCB plug

Website

<http://www.tridonic.com/28001921>



Spotlights



Downlights



Linear



Area



Floor | Wall



Free-standing



Street



Decorative

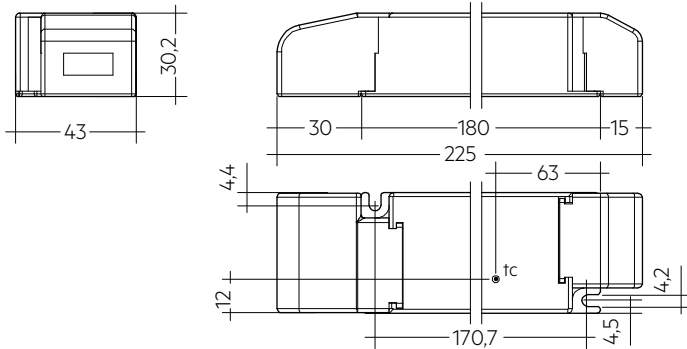


High bay

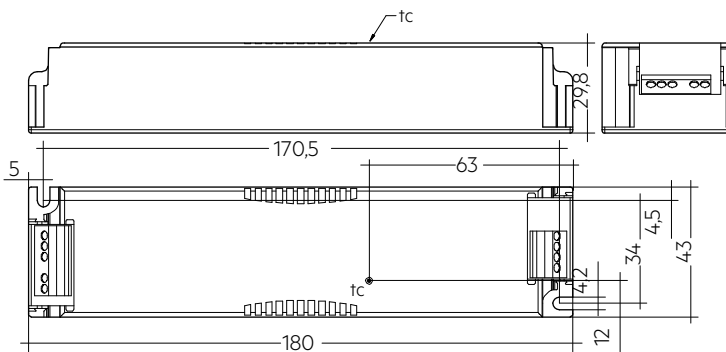
Driver LCA 60W 24V one4all SC PRE

premium series

The complete data sheet for this product is available in the Downloads section.



With strain-relief



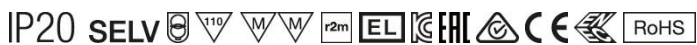
Without strain-relief

Ordering data

| Type | Article number | Packaging, carton [®] | Packaging, pallet | Weight per pc. |
|-------------------------------|----------------|--------------------------------|-------------------|----------------|
| Single packaging | | | | |
| LCA 60W 24V one4all SC PRE SP | 28001921 | 10 pc(s). | 480 pc(s). | 0.18 kg |

Technical data

| | |
|--|--------------------|
| Rated supply voltage | 220 – 240 V |
| AC voltage range | 198 – 264 V |
| DC voltage range | 176 – 280 V |
| Mains frequency | 0 / 50 / 60 Hz |
| Typ. rated current (at 230 V, 50 Hz, full load) ^① | 295 mA |
| Typ. current (220 V, 0 Hz, full load, 15 % dimming level) | 59 mA |
| Leakage current (at 230 V, 50 Hz, full load) ^① | < 320 µA |
| Max. input power | 67 W |
| Typ. efficiency (at 230 V, 50 Hz, full load) | 93 % |
| λ (at 230 V, 50 Hz, full load) ^① | 0.98 |
| Typ. power input on stand-by ^② | < 0.2 W |
| Typ. input current in no-load operation | 35.8 mA |
| Typ. input power in no-load operation ^② | 2.05 W |
| In-rush current (peak / duration) | 32.2 A / 187 µs |
| THD (at 230 V, 50 Hz, full load) ^① | < 5.3 % |
| Output P_ST_LM (at full load) | ≤ 1 |
| Output SVM (at full load) | ≤ 0.4 |
| Starting time (at 230 V, 50 Hz, full load) ^① | < 0.6 s |
| Starting time (DC mode) | < 0.3 s |
| Switchover time (AC/DC) ^③ | < 0.3 s |
| Turn off time (at 230 V, 50 Hz, full load) | < 3 ms |
| Output voltage tolerance | ± 1 V |
| Output LF voltage ripple (< 120 Hz) | ± 5 % |
| Max. output voltage (U-OUT) | 60 V |
| PWM frequency | ~ 1 kHz |
| Dimming range | 1 – 100 % |
| Mains surge capability (between L - N) | 1 kV |
| Mains surge capability (between L/N - PE) | 2 kV |
| Type of protection | IP20 |
| Life-time | up to 50,000 h |
| Dimensions L x W x H | 225 x 43 x 30.2 mm |

Approval marks**Standards**

EN 55015, EN 61000-3-2, EN 61000-3-3, EN 61347-1, EN 61347-2-13, EN 62384, EN 61547, EN 62386-101 (DALI-2), EN 62386-102 (DALI-2), EN 62386-207 (DALI-2),
Acc. to EN 50172, Acc. to EN 60598-2-22

① Valid at 100 % dimming level.

② Depending on the DALI traffic at the interface.

③ Valid for immediate change of power supply type otherwise the starting time is valid.

④ The strain relief is included in both packaging variants. In the single packaging each Driver has also an individual packaging.