

Driver LC 100W 24V bDW SC PRE2
premium series constant voltage



System solution

Product description

- _ Dimmable 24 V constant voltage LED Driver for flexible constant voltage strips
- _ Can be either used built-in or independent with clip-on strain-relief (see data sheet chapter: 1. Standards)
- _ basicDIM Wireless enables different dimming options
- _ Forms automatically a wireless communication network with up to 250 nodes
- _ Dimming range 1 to 100 %
- _ No additional external dimmer is needed
- _ Suitable for emergency escape lighting systems acc. to EN 50172
- _ Nominal life-time up to 50,000 h
- _ 5-year guarantee

Typical applications

- _ Cove lighting, facade accent lighting, ceiling integration

Technical details

- _ 24 V, 100 W
- _ Small design (295 x 43 x 30 mm) with stretched-compact strain relief
- _ Small cross section
- _ Push terminals for simple wiring
- _ Output terminals (+/-) equipped twice for more flexibility in the application

Interfaces

- _ basicDIM Wireless
- _ ready2mains (configuration via mains)
- _ Terminal blocks: 45° push terminals

System solution

- _ Tridonic LLE-FLEX ADV 600, 1,200, 1,800 lm/m
- _ Tridonic LLE-FLEX EXC 600, 1,200, 1,800, 2,500 lm/m
- _ In connection with Flex accessories wire to PCB plug

Website

<http://www.tridonic.com/28002675>



Spotlights



Downlights



Linear



Area



Floor | Wall



Free-standing



Street



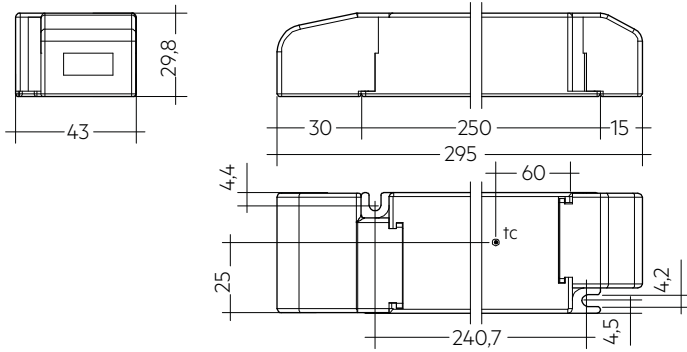
Decorative



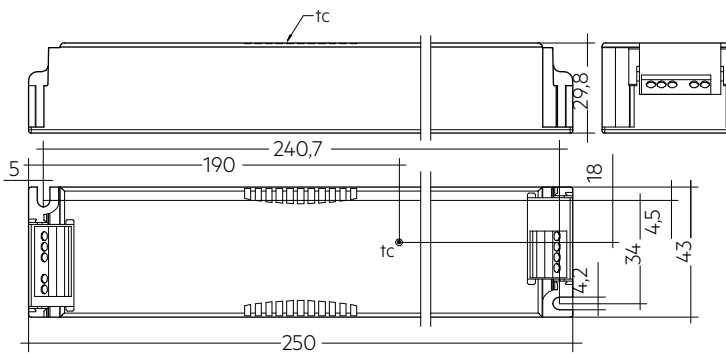
High bay

Driver LC 100W 24V bDW SC PRE2
premium series constant voltage

The complete data sheet for this product is available in the Downloads section.



With strain-relief



Without strain-relief

Ordering data

| Type | Article number | Packaging, carton [®] | Packaging, pallet | Weight per pc. |
|---------------------------|----------------|--------------------------------|-------------------|----------------|
| Single packaging | | | | |
| LC 100/24V bDW SC PRE2 SP | 28002675 | 10 pc(s). | 390 pc(s). | 0.245 kg |

Technical data

| | |
|--|--------------------|
| Rated supply voltage | 220 – 240 V |
| AC voltage range | 198 – 264 V |
| DC voltage range | 176 – 280 V |
| Mains frequency | 0 / 50 / 60 Hz |
| Typ. rated current (at 230 V, 50 Hz, full load) ^① | 468 mA |
| Typ. current (220 V, 0 Hz, full load, 15 % dimming level) | 93 mA |
| Leakage current (at 230 V, 50 Hz, full load) ^① | < 260 µA |
| Max. input power | 111 W |
| Typ. efficiency (at 230 V, 50 Hz, full load) | 93 % |
| λ (at 230 V, 50 Hz, full load) ^① | 0.99 |
| Typ. power input on stand-by | < 0.37 W |
| Typ. input current in no-load operation | 40.4 mA |
| Typ. input power in no-load operation | 2.6 W |
| In-rush current (peak / duration) | 43 A / 280 µs |
| THD (at 230 V, 50 Hz, full load) ^① | < 5.7 % |
| Starting time (at 230 V, 50 Hz, full load) ^① | < 0.35 s |
| Starting time (DC mode) | < 0.32 s |
| Switchover time (AC/DC) ^② | < 0.3 s |
| Turn off time (at 230 V, 50 Hz, full load) | < 20 ms |
| Output voltage tolerance | ± 1 V |
| Output LF voltage ripple (< 120 Hz) | ± 5 % |
| Max. output voltage (U-OUT) | 60 V |
| PWM frequency | ≥ 1 kHz |
| Dimming range | 1 – 100 % |
| Mains surge capability (between L - N) | 1 kV |
| Mains surge capability (between L/N - PE) | 2 kV |
| Type of protection | IP20 |
| Life-time | up to 50,000 h |
| Dimensions L x W x H | 295 x 43 x 29.8 mm |

Approval marks

IP20 SELV          

Standards

EN 55015, EN 61000-3-2, EN 61000-3-3, EN 61347-1, EN 61347-2-13, EN 62384, EN 61547, EN 300330 V2.1.1, EN 301 489-1 V2.1.1, EN 301 489-3 V2.1.1, EN 300328 V2.1.1, EN 301 489-17 V2.1.1, Acc. to EN 50172, Acc. to EN 60598-2-22

① Valid at 100 % dimming level.

② Valid for immediate change of power supply type otherwise the starting time is valid.

③ The strain relief is included in both packaging variants. In the single packaging each Driver has also an individual packaging.