

Driver LCBI 15W 350/500/700mA BASIC phase-cut SR ADV
advanced series

**Product description**

- _ Dimmable via leading edge and trailing edge phase dimmers
- _ Output dimmed analogue (current amplitude)
- _ Dimming range typ. 5 to 100 % (depending on dimmer)
- _ Potted style
- _ Type of protection IP20
- _ Screw terminal
- _ Connecting cable, wire cross-section 0.5 – 2.5 mm²
- _ SELV
- _ 350, 500 or 700 mA output current
- _ Output power 14/15 W
- _ Nominal life-time of 60,000 h (at max ta 50 °C with a failure rate ≤ 0.2 % per 1,000 h)
- _ 5-year guarantee

Properties

- _ Casing: polycarbonate, white
- _ Compact dimensions
- _ Overload protection
- _ Short-circuit protection

Website

<http://www.tridonic.com/87500320>



Spotlights



Downlights



Linear



Area



Floor | Wall



Free-standing



Street



Decorative

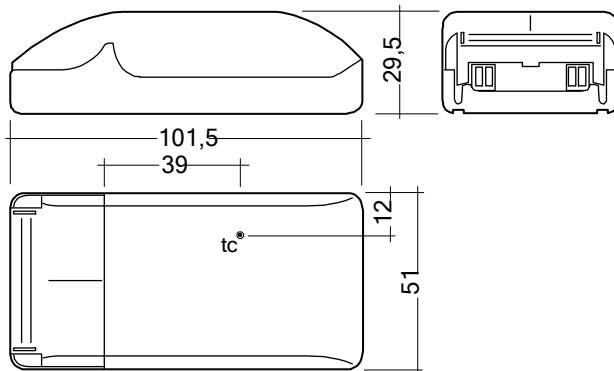


High bay

Driver LCBI 15W 350/500/700mA BASIC phase-cut SR ADV

advanced series

The complete data sheet for this product is available in the Downloads section.



Ordering data

Type	Article number ^④	Packaging, carton	Packaging, low volume	Packaging, high volume	Weight per pc.
LCBI 15W 500mA BASIC PH-CUT SR ADV	87500320	20 pc(s).	440 pc(s).	2,200 pc(s).	0.167 kg

Technical data

Rated supply voltage	220 – 240 V
AC voltage range	198 – 264 V
Mains frequency	50 / 60 Hz
Typ. rated current (at 230 V, 50 Hz, full load)	0.09 A
λ at full load	0.99
λ at min. load	0.95
Output current tolerance at full load ^{①②③}	$\pm 7,5\%$
Typ. current ripple (at 230 V, 50 Hz, full load)	$\pm 30\%$
Starting time (at 230 V, 50 Hz, full load)	$\leq 0,1$ s
Turn off time (at 230 V, 50 Hz, full load)	$\leq 0,1$ s
Hold on time at power failure (output)	0 s
Ambient temperature t_a	-25 ... +50 °C
Ambient temperature t_a (at life-time 60,000 h)	50 °C
Max. casing temperature t_c	75 °C
Storage temperature t_s	-40 ... +85 °C
Life-time	up to 60,000 h
Dimensions L x W x H	102 x 51 x 30 mm

Approval marks



Standards

EN 55015, EN 61000-3-2, EN 61000-3-3, EN 61347-1, EN 61347-2-13, EN 61547, EN 62384

Specific technical data

Type	Efficiency at full load ^⑤	Efficiency at min. load ^⑥	Output current ^③	Max. peak output current at full load ^①	Max. peak output current at min. load ^②	Max. forward voltage ^⑥	Min. forward voltage ^⑥	Output voltage range	Max. output voltage (U _{OUT}) ^⑥	Max. input power	Max. output power
LCBI 15W 500mA BASIC PH-CUT SR ADV	77 %	75 %	500 mA	780 mA	1,030 mA	30 V	13,5 V	13,5 – 30 V	34 V	20 W	15 W

① The trend between min. and full load is linear.

② Output current tolerance at full load is max. 10 % and the tolerance for min. load is depend on the typical rated current.

③ Output current is mean value.

④ BIS approval mark for art. no.: 87500386, 87500320.

⑤ Test result at 230 V, 50 Hz.

⑥ At failure mode.